

MDS100 Three Phase Bridge Module



Features

Isolated mounting base 2500V
Increased power cycling capability
Space and weight savings

Application

AC/DC Motor drives
Various rectifiers
DC supply for PWM inverter

| | |
|-----------|----------------------|
| I_o | 100 A |
| V_{RRM} | 600-1600 V |
| I_{FSM} | 1.2KA |
| I^2t | 7.2KA ² S |

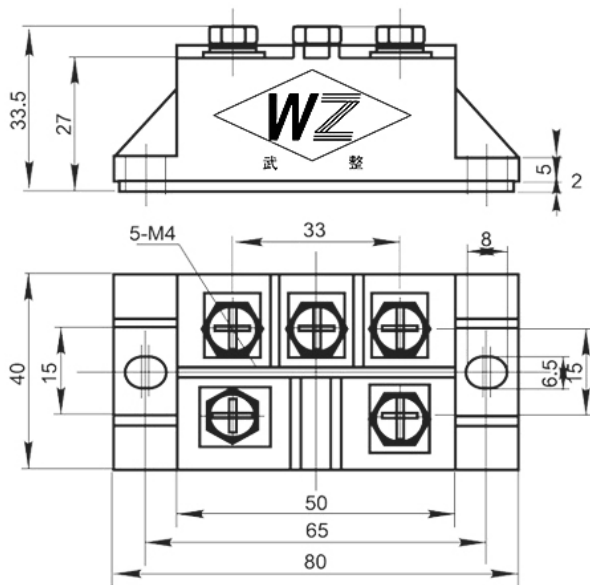
| Symb. | | parameter | Test Conditions | $T_{J(°C)}$ | Value | Unit |
|-----------------|-----------|---------------------------------|---|-------------|----------|-------------------|
| Current Ratings | I_o | average forward current | 180 ° half sine wave 50Hz Single side cooled, $T_C=100\text{ °C}$ | 150 | 100 | A |
| | I_{FSM} | Surge forward current | 10ms half sine wave | 150 | 1.2 | KA |
| | I^2t | I^2t for fusing coordination | $V_R=0.6V_{RRM}$ | 150 | 7.2 | KA ² S |
| Characteristics | V_{RRM} | Repetitive peak reverse voltage | $V_{RRM} t_p=10ms$ $V_{RSM}=V_{RRM}+200V$ | 150 | 600-1600 | V |
| | I_{RRM} | Repetitive peak current | $V_{RM}=V_{RRM}$ | 150 | Max.8 | mA |
| | V_{FM} | Peak on-state voltage | $I_{FM}=100A$ | 25 | Max.1.30 | V |
| | V_{FO} | Threshold voltage | | 150 | Max.0.8 | V |
| | r_F | Forward slop resistance | | 150 | Max.4.5 | mΩ |

Thermal & Mechanical Data

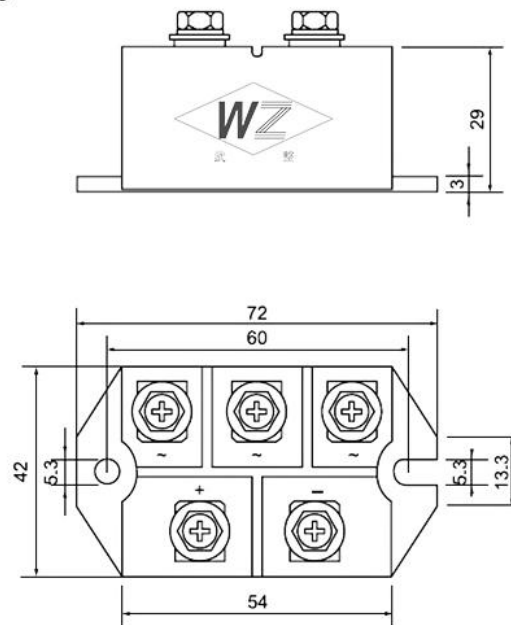
| Symb. | parameter | Test Conditions | Value | Unit |
|---------------|--------------------------------------|---------------------------------------|----------|------|
| $R_{th(j-c)}$ | Thermal resistance Junction to case | At 180 °sine wave, single side cooled | Max.0.20 | °C/W |
| $R_{th(c-h)}$ | Thermal resistance case to heat sink | At 180 °sine wave, single side cooled | Max.0.07 | °C/W |
| V_{iso} | Isolated voltage | 50Hz,R.M.S,t=1min,Iiso:1mA(max) | Min.2500 | V |
| F_m | Terminal connection torque(M5) | | Typ.4.0 | N m |
| | Mounting force (M6) | | Typ.6.0 | N m |
| T_{stg} | Stored temperature | | -40+125 | °C |
| W_t | Weight | | 200 | g |

Outline:

M47



M53



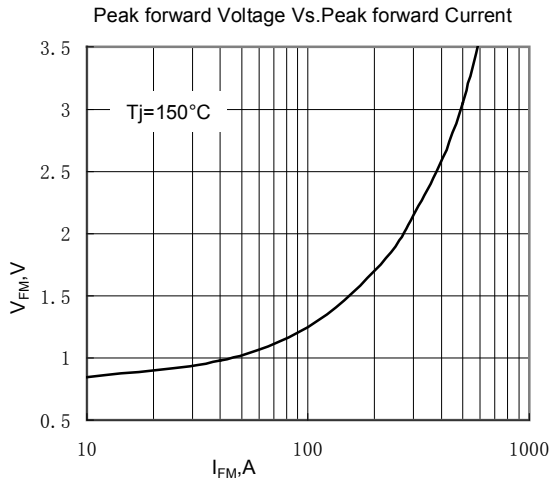


Fig.1

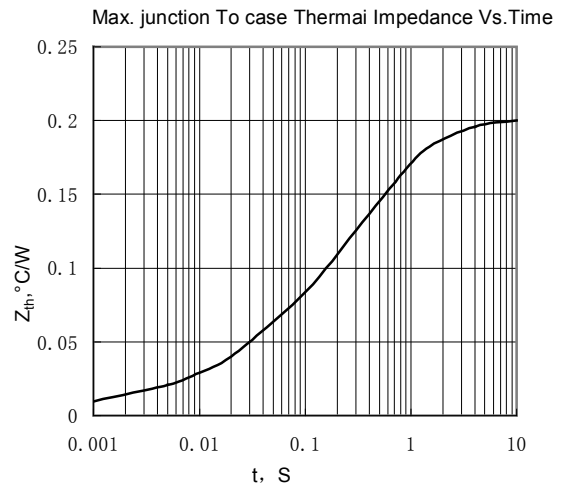


Fig.2

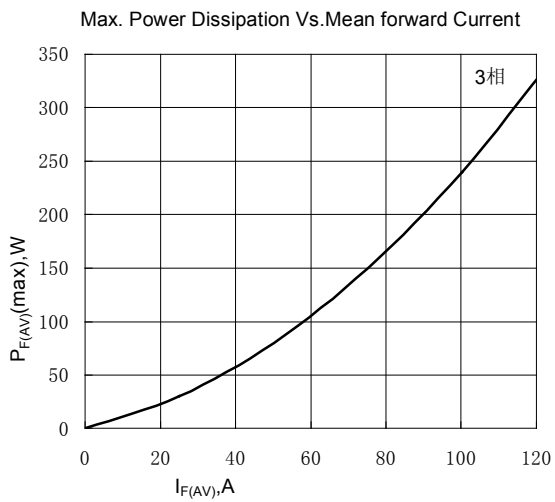


Fig.3

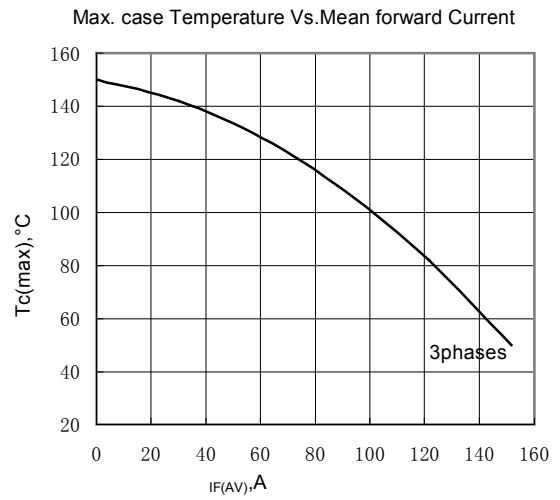


Fig.4

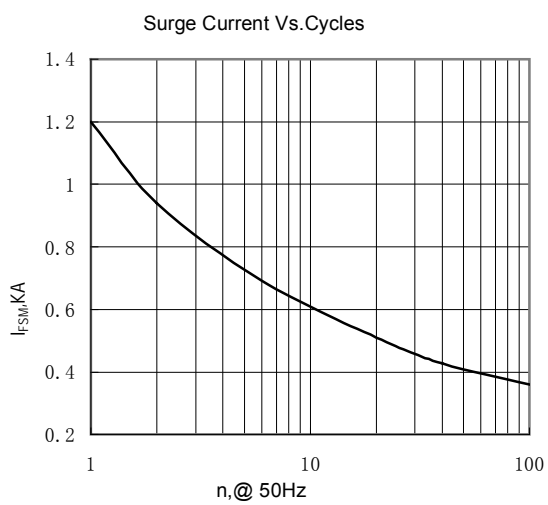


Fig.5

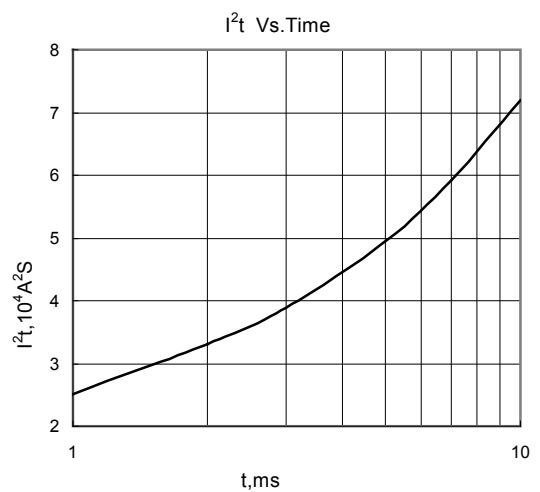
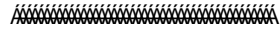


Fig.6



Wuhan Wuzheng Rectifier Co., Ltd

Add: NO. 73 Gaoxin Five Road, East Lake New Technology Development Zone, Wuhan City, Hubei province.

Tel : 86-27-87001995

Fax: 86-27-87180920

Email: info@techele.com

Web: www.techele.com/en
cntechele.en.alibaba.com