

MZC/MZA/MZK/MZX55A FAST DIODE MODULE



Features

Isolated mounting base 2500V
Compact structure and light weight savings
Full crimping structure, super temperature characteristics and power cycle capability

$I_{T(AV)}$	55A
V_{DRM}/V_{RRM}	600~1600 V
I_{TSM}	2.2KA
I^2T	24.6 KA ² S

Application

AC/DC Motor Control
Various rectifying power suppliers
Industry Heating Regulation
Light Dimming
Contactless Switches
Motor Soft Start
Welding Device

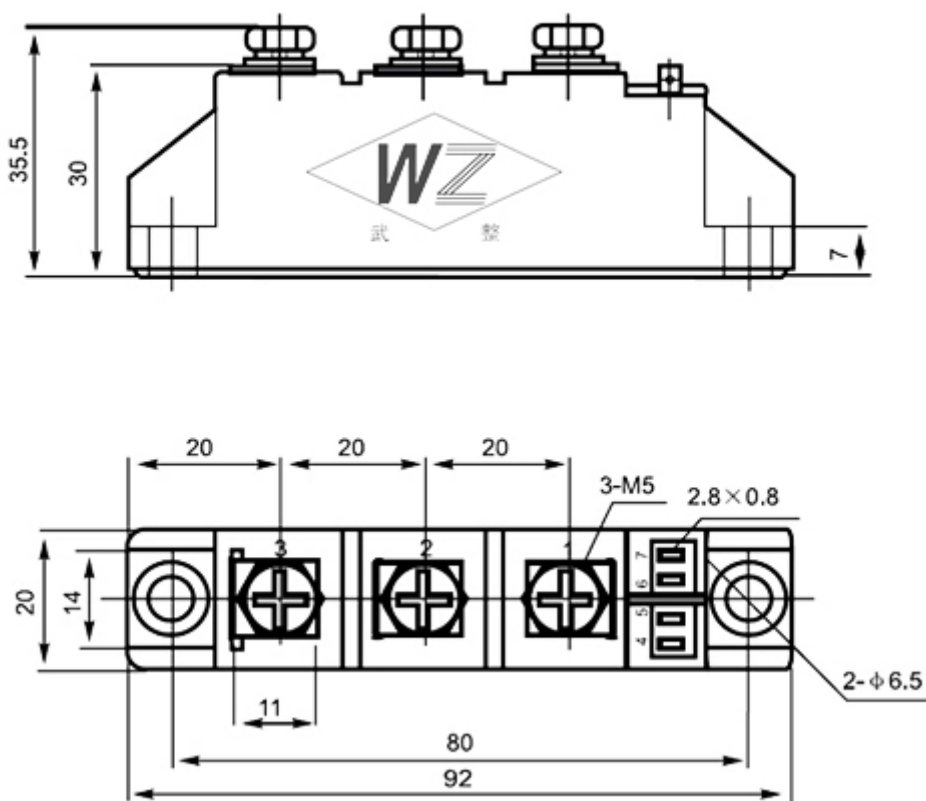
Symb.		parameter	Test Conditions	$T_{J(C)}$	Value	Unit
Current Ratings	$I_{F(AV)}$	average on-state current	180 °half sine wave 50Hz Single side cooled $T_c=85\text{ }^\circ\text{C}$	140	75	A
	$I_{F(RMS)}$	RMS on-state current		140	118	A
	I_{FSM}	Surge on-state current	10ms half sine wave $V_R=0.6V_{RRM}$	140	2.0	KA
	I^2t	I ² T for fusing coordination		140	20.4	KA ² S
Characteristics	V_{RRM}	Repetitive peak reverse voltage	V_{RRM} tp=10ms $V_{RSM}=V_{RRM}+200V$	140	600-1600	V
	I_{RRM}	Repetitive peak reverse current	$V_{RM}=V_{RRM}$	140	Max.20	mA
	V_{FO}	Threshold voltage		140	Max.0.80	V
	V_{FM}	Peak on-state voltage	$I_{FM}=225A$	25	Max.2.00	V
	r_F	On-state slop resistance		140	Max.4.25	mΩ
	trr	Reverse recovery time	IFM=75A,tp=1000μs, -di/dt=20A/μs, VR=50V	140	Typ.1.5	μs

Thermal & Mechanical Data

Symb.	parameter	Test Conditions	Value	Unit
$R_{th(j-c)}$	Thermal resistance Junction to case	single side cooled	Max.0.310	°C/W
$R_{th(c-h)}$	Thermal resistance case to heat sink	single side cooled	Min.0.08	°C/W
F_m	Thermal connection torque(M5)		Typ.6	N m
	Mounting force (M6)		Typ.6	N m
T_{stg}	Stored temperature		-40+125	°C
W_t	Weight		320	g

Outline:

M1



Wuhan Wuzheng Rectifier Co., Ltd

Add: NO. 73 Gaoxin Five Road, East Lake New Technology Development Zone, Wuhan City, Hubei province.

Tel : 86-27-87001995

Fax: 86-27-87180920

Email: info@techele.com

Web: www.techele.com/en

cntechele.en.alibaba.com