

MDC/MDA/MDK/MDX800A DIODE MODULE



Features

Isolated mounting base 2500V
Increased power cycling capability
Space and weight savings

Application

AC/DC Motor drives
Various rectifiers
DC supply for PWM inverter

| | |
|-------------|-----------------------|
| $I_{F(AV)}$ | 800A |
| V_{RRM} | 400-2600 V |
| I_{FSM} | 18KA |
| I^2t | 1650KA ² S |

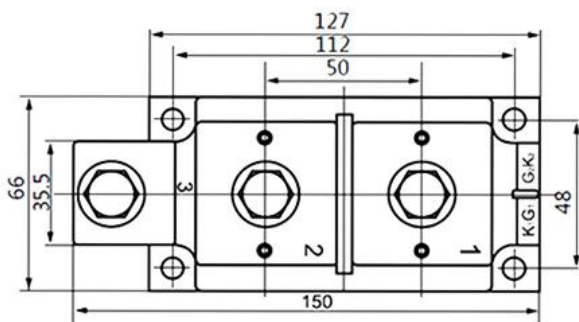
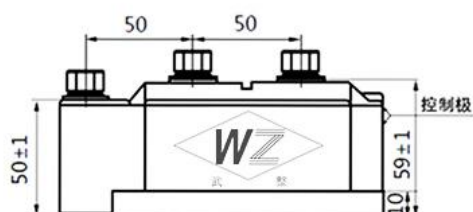
| Symb. | | parameter | Test Conditions | $T_J(^{\circ}C)$ | Value | Unit |
|-----------------|--------------|---------------------------------|---|------------------|----------|-------------------|
| Current Ratings | $I_{F(AV)}$ | average forward current | 180 ° half sine wave 50Hz Single side cooled, $T_C=60^{\circ}C$ | 150 | 800 | A |
| | $I_{F(RMS)}$ | RMS forward current | | 150 | 1256 | A |
| | I_{FSM} | Surge forward current | 10ms half sine wave | 150 | 18.0 | KA |
| | I^2t | I^2t for fusing coordination | $VR=0.6VRRM$ | 150 | 1650 | KA ² S |
| Characteristics | V_{RRM} | Repetitive peak reverse voltage | $V_{RRM} tp=10ms$ $V_{RSM}=V_{RRM}+200V$ | 150 | 400-2600 | V |
| | I_{RRM} | Repetitive peak current | $V_{RM}=V_{RRM}$ | 150 | Max.45 | Ma |
| | V_{FM} | Peak on-state voltage | $I_{FM}=2400A$ | 25 | Max.1.80 | V |
| | V_{FO} | Threshold voltage | | 150 | Max.0.75 | V |
| | r_F | Forward slop resistance | | 150 | Max.0.33 | mΩ |

Thermal & Mechanical Data

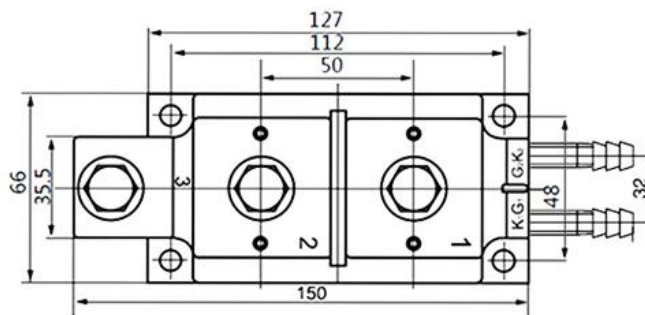
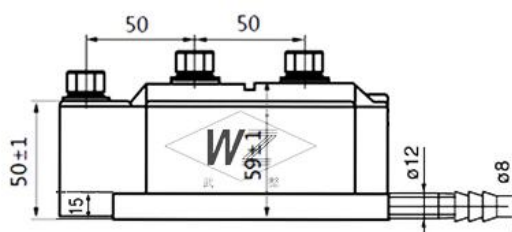
| Symb. | parameter | Test Conditions | Value | Unit |
|---------------|--------------------------------------|---------------------------------------|-----------|------|
| $R_{th(j-c)}$ | Thermal resistance Junction to case | At 180 °sine wave, single side cooled | Max.0.080 | °C/W |
| $R_{th(c-h)}$ | Thermal resistance case to heat sink | At 180 °sine wave, single side cooled | | °C/W |
| V_{iso} | Isolated voltage | 50Hz,R.M.S,t=1min,Iiso:1mA(max) | Min.2500 | V |
| F_m | Terminal connection torque(M5) | | Typ.14 | N m |
| | Mounting force (M6) | | Typ.12 | N m |
| T_{stg} | Stored temperature | | -40+125 | °C |
| W_t | Weight | | 3500 | g |

Outline:

M6



M10



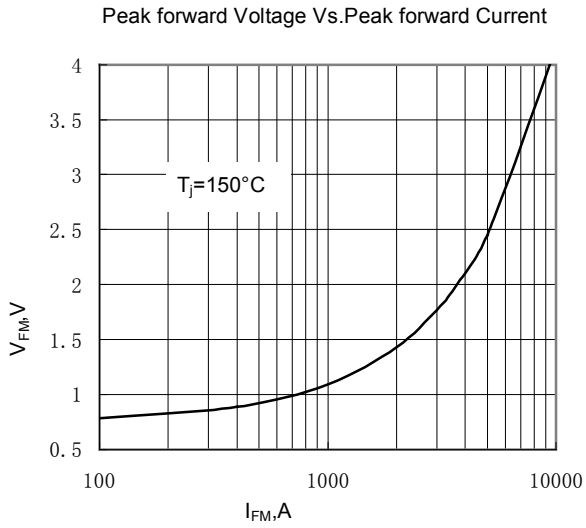


Fig.1

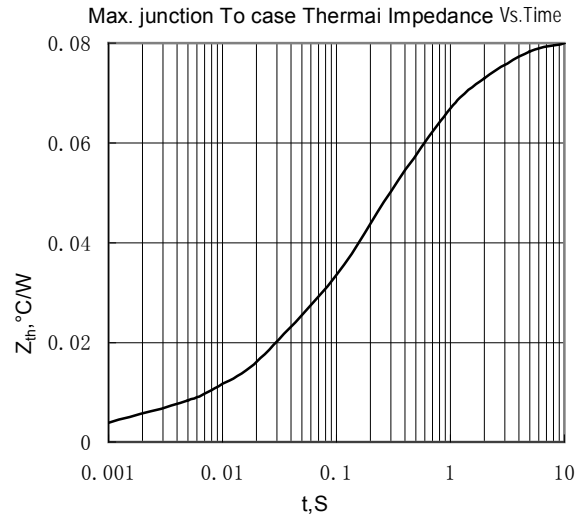


Fig.2

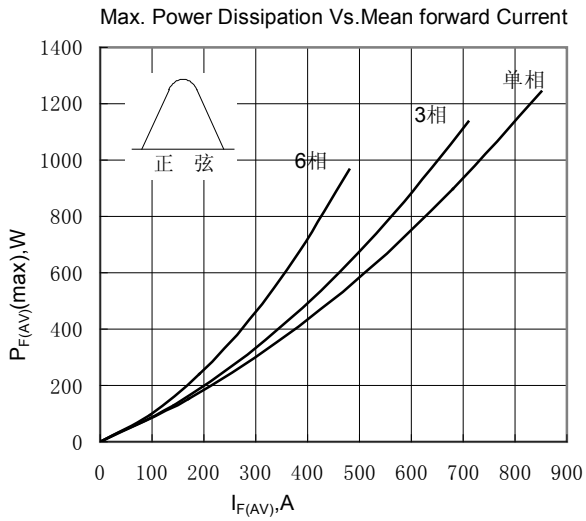


Fig.3

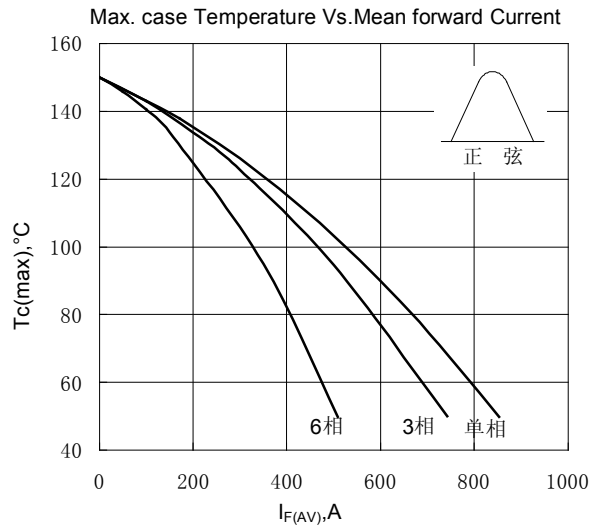


Fig.4

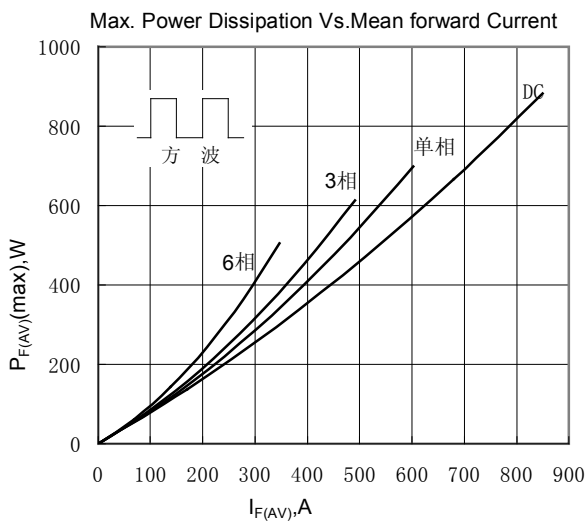


Fig.5

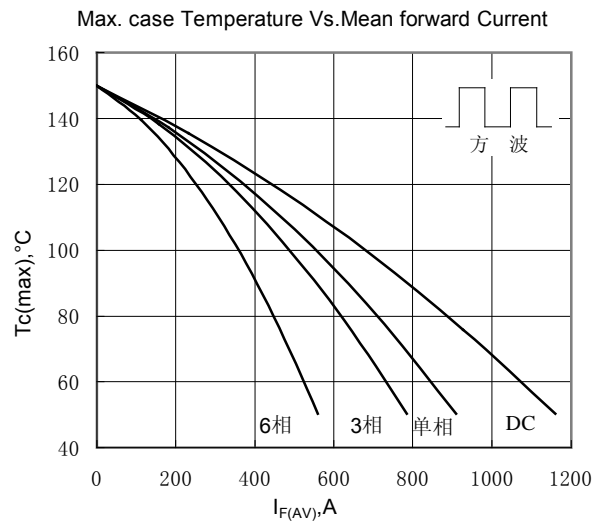
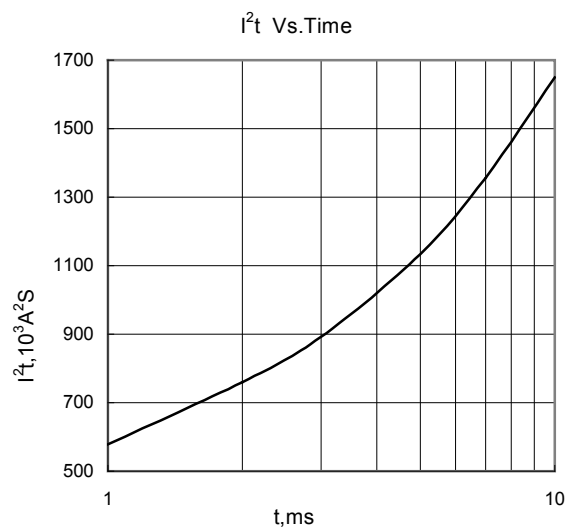
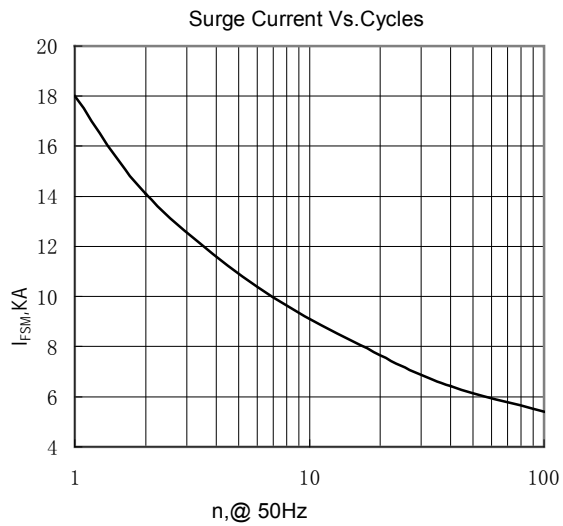


Fig.6



Wuhan Wuzheng Rectifier Co., Ltd

Add: NO. 73 Gaoxin Five Road, East Lake New Technology Development Zone, Wuhan City, Hubei province.

Tel : 86-27-87001995

Fax: 86-27-87180920

Email: info@techele.com

Web: www.techele.com/en

cn-techele.en.alibaba.com