

KS100A-E

BI-DIRECTIONAL THYRISTOR



Features

Two anti-parallel thyristors on one Si-wafer
Hermetic metal cases with ceramic insulators
Capsule packages for double sides cooling

Application

High power industrial and power transmission
DC and AC motor control
AC controllers

$I_{T(RMS)}$	100 A
V_{DRM}/V_{RRM}	500~1800 V
I_{TSM}	1.7KA
I^2t	31 KA ² S

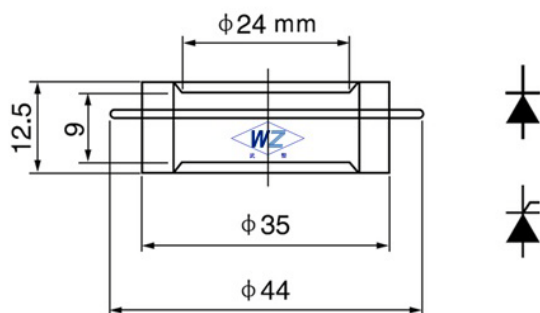
Symb.		parameter	Test Conditions	$T_J(^{\circ}C)$	Value	Unit
Current Ratings	$I_{T(RMS)}$	RMS current	180° half sine wave 50Hz Double side cooled $T_{hs}=101^{\circ}C$	125	100	A
	$I_{T(RMS)}$	RMS current	180° half sine wave 50Hz Double side cooled $T_{hs}=55^{\circ}C$	125	629	A
	I_{TSM}	Surge on-state current	10ms half sine wave	125	1.7	KA
	I^2t	I^2t for fusing coordination	$V_R=0.6V_{RRM}$	125	31	KA ² S
Characteristics	V_{DRM} V_{RRM}	Repetitive peak off-state voltage Repetitive peak reverse voltage	V_{DRM} & V_{RRM} tp=10ms V_{DSM} & $V_{RSM}=V_{DRM}$ & $V_{RRM}+100V$	125	500-1800	V
	I_{DRM} I_{RRM}	Repetitive peak current	$V_{DM}=V_{DRM}$ $V_{RM}=V_{RRM}$	125	Max.20	mA
	V_{TO}	Threshold voltage		125	Max.0.99	V
	V_{TM}	Peak on-state voltage	$I_{TM}=500A, F=7.0KN$	25	Max.2.4	V
	r_T	On-state slop resistance		125	Max.1.9	mΩ
	I_H	Holding current	$V_A=12V, I_A=1A$	25	20-200	ma
Dynamic Parameters	dv/dt	Critical rate of rise of off-state voltage	$V_{DM}=67\%V_{DRM}$	125	Max.500	V/μs
	di/dt	Critical rate of rise of on-state current	$V_{DM}=67\%V_{DRM}$ to 600A, Gate pulse $t_r \leq 0.5\mu s$ $I_{GM}=1.5A$	125	Max.50	A/μs
Gate Parameters	I_{GT}	Gate trigger current	$V_A=12V, I_A=1A$	25	20-200	mA
	V_{GT}	Gate trigger voltage		25	0.8-2.5	V

Thermal & Mechanical Data

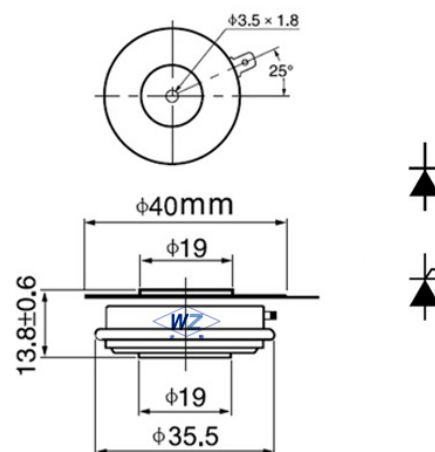
Symb.	parameter	Test Conditions	Value	Unit
$R_{th(j-h)}$	Thermal resistance Junction to heat sink	Double side cooled Clamping force 7.0KN	Max.0.60	°C/W
F_m	Mounting force		5.3-10	KN
T_{stg}	Stored temperature		-40--+140	°C
W_t	Weight		80	g

Dimensions:

C1



C7



Wuhan Wuzheng Rectifier Co., Ltd

Add: NO. 73 Gaoxin Five Road, East Lake New Technology Development Zone, Wuhan City, Hubei province.

Tel : 86-27-87001995

Fax: 86-27-87180920

Email: info@techele.com

Web: www.techele.com/en

cntechele.en.alibaba.com