

KG600A-B

HIGH FREQUENCY THYRISTOR



Features

- Interdigitated amplifying gates
- Fast turn-on and high di/dt
- Short turn-off time and low switching losses
- Hermetic metal cases with ceramic insulators

Application

- Inductive heating
- Electronic welders
- Self-commutated inverters
- AC motor speed control
- General power switching applications

$I_{T(AV)}$	600A
V_{DRM}/V_{RRM}	600-1000 V
t_q	5~7 μ s
I_{TSM}	6KA

Symb.		parameter	Test Conditions	T_J ($^{\circ}$ C)	Value	Unit
Current Ratings	$I_{T(AV)}$	average on-state current	180°half sine wave 50Hz Double side cooled $T_{hs}=55^{\circ}$ C	115	600	A
					50Hz	
	I_{TSM}	Surge on-state current	10ms half sine wave $V_R=0.6V_{RRM}$	115	6	KA
I^2t	I^2t for fusing coordination	115		180	KA ² S	
Characteristics	V_{DRM} V_{RRM}	Repetitive peak off-state voltage Repetitive peak reverse voltage	$V_{DRM}\&V_{RRM}$ tp=10ms $V_{DSM}\&V_{RSM}=V_{DRM}\&V_{RRM}+100V$	115	600-1000	V
	I_{DRM} I_{RRM}	Repetitive peak current	$V_{DM}=V_{DRM}$ $V_{RM}=V_{RRM}$	115	Max.40	mA
	V_{TO}	Threshold voltage		115	Max.1.40	V
	V_{TM}	Peak on-state voltage	$I_{TM}=1200A, F=15KN$	25	Max.3.2	V
	r_T	On-state slop resistance		115	Max.0.48	m Ω
	I_H	Holding current	$V_A=12V, I_A=1A$	25	20-400	ma
Dynamic Parameters	dv/dt	Critical rate of rise of off-state voltage	$V_{DM}=67\%V_{DRM}$	115	Max.200	V/ μ s
	di/dt	Critical rate of rise of on-state current	$V_{DM}=67\%V_{DRM}$ to 1000A, Gate pulse $t_r \leq 0.5\mu$ s $I_{GM}=1.5A$	115	Max.200	A/ μ s
	t_q	Circuit commutated turn-off time	$I_{TM}=800A, tp=1000\mu$ s, $V_R=50V, di/dt=-20A/\mu$ s	115	5-7	μ s
	I_{rm}	Reserse recovery current	$T_M=800A, tp=1000\mu$ s, $V_R=50V$ dv/dt=30V/ μ s, di/dt=-20A/ μ s	115	Typ.36	
	t_{rr}	Reverse recovery time		115	Typ.2.5	μ s
	Q_{rr}	Recovery charge		115	Typ.45 Max.60	μ c

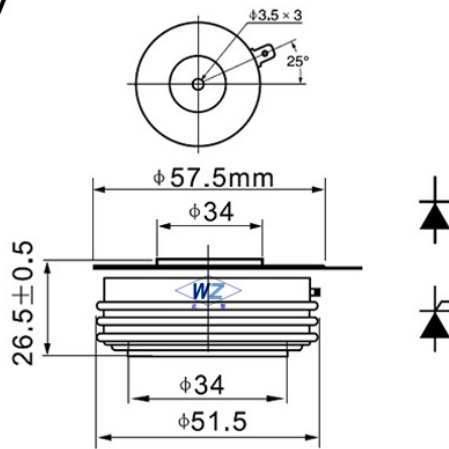
Gate Parameters	I_{GT}	Gate trigger current	$V_A=12V, I_A=1A$	25	30-250	mA
	V_{GT}	Gate trigger voltage		25	0.8-3.0	V
	V_{GD}	Non-trigger gate voltage	$V_{DM}=67\% V_{DRM}$	115	Min.0.3	V

Thermal & Mechanical Date

Symb.	parameter	Test Conditions	Value	Unit
$R_{th(j-h)}$	Thermal resistance Junction to heat sink	Double side cooled, mounting force 15KN	0.035	°C/W
F_m	Mounting force		10-20	KN
T_{stg}	Stored temperature		-40-+140	°C
W_t	Weight		270	g

Dimensions:

C17



Wuhan Wuzheng Rectifier Co., Ltd

Add: NO. 73 Gaoxin Five Road, East Lake New Technology Development Zone, Wuhan City, Hubei province.

Tel : 86-27-87001995

Fax: 86-27-87180920

Email: info@techele.com

Web: www.techele.com/en

cntechele.en.alibaba.com