

KK1500A-E

FAST TURN-OFF THYRISTOR



Features

- Interdigitated amplifying gate
- Fast switch and high di/dt
- Low switching loss

Application

- Converter
- Chopper
- Induction heating

$I_{T(AV)}$	1500 A
V_{DRM}/V_{RRM}	800~1800V
t_q	16~35 μ s
I_{TSM}	16KA
I^2T	1120KA ² S

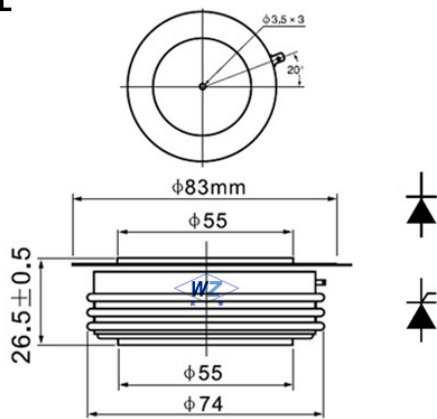
Symb.		parameter	Test Conditions	$T_{J(c)}$ ()	Value	Unit
Current Ratings	$I_{T(AV)}$	average on-state current	180° half sine wave 50Hz Double side cooled $T_{hs}=55^\circ C$	115	1500	A
	I_{TSM}	Surge on-state current	10ms half sine wave $V_R=0.6V_{RRM}$	115	16	KA
	I^2t	I^2t for fusing coordination		115	1120	KA ² S
Characteristics	V_{DRM} V_{RRM}	Repetitive peak off-state voltage Repetitive peak reverse voltage	$V_{DRM} \& V_{RRM} t_p=10ms$ $V_{DSM} \& V_{RSM} = V_{DRM} \& V_{RRM} + 100V$	115	800-1800	V
	I_{DRM} I_{RRM}	Repetitive peak current	$V_{DM} = V_{DRM}$ $V_{RM} = V_{RRM}$	115	Max.120	mA
	V_{TO}	Threshold voltage		115	Max.1.41	V
	V_{TM}	Peak on-state voltage	$I_{TM}=3000A, F=26KN$	25	Max.3.15	V
	r_T	On-state slop resistance		115	0.28	m Ω
	I_H	Holding current	$V_A=12V, I_A=1A$	25	20-500	ma
Dynamic Parameters	dv/dt	Critical rate of rise of off-state voltage	$V_{DM}=67\%V_{DRM}$	115	Max.500	V/ μ s
	di/dt	Critical rate of rise of on-state current	$V_{DM}=67\%V_{DRM}$ to 800A, Gate pulse $t_r \leq 0.5\mu s, I_{GM}=1.5A$	115	Max.500	A/ μ s
	t_q	Circuit commutated turn-off time	$I_{TM}=800A, t_p=1000\mu s, dv/dt=30V/\mu s$ $di/dt=-20A/\mu s, V_R=50V$	115	16-35	mA
	I_{rm}	Reverse recovery current	$I_{TM}=800A, t_p=1000\mu s$ $di/dt=-20A/\mu s, V_R=50V$	115	Typ.100	A
	t_{rr}	Reverse recovery time		115	Typ.6.2	μ s
	Q_{rr}	Recovery charge		115	Typ.310 Max.350	μ c
Gate Parameters	I_{GT}	Gate trigger current	$V_A=12V, I_A=1A$	25	40-300	mA
	V_{GT}	Gate trigger voltage		25	0.9-3.0	V
	V_{GD}	Non-trigger gate voltage	$V_{DM}=67\%V_{DRM}$	115	Min.0.3	V

Thermal & Mechanical Date

Symb.	parameter	Test Conditions	Value	Unit
$R_{th(j-h)}$	Thermal resistance Junction to heat sink	Double side cooled, clamping force 26N	0.022	°C/W
F_m	Mounting force		21-30	KN
T_{stg}	Stored temperature		-40--+140	°C
W_t	Weight		620	g

Dimensions:

C21



Wuhan Wuzheng Rectifier Co., Ltd

Add: NO. 73 Gaoxin Five Road, East Lake New Technology Development Zone, Wuhan City, Hubei province.

Tel : 86-27-87001995

Fax: 86-27-87180920

Email: info@techele.com

Web: www.techele.com/en

cn-techele.en.alibaba.com