

# ZK800A-B

## FAST RECOVERY DIODE



### Features

- Low forward voltage drop
- Soft recovery
- Hermetic metal cases with ceramic insulators

### Application

- Inverters and choppers
- AC. motor control
- Snubber and free-wheeling diodes

$I_{F(AV)}$	800A
$V_{RRM}$	200-1000V
$I_{FSM}$	10KA
$t_{rr}$	3.0 $\mu$ s

SYMBOL		PARAMETERS	TESTING CONDITION	$T_j(^{\circ}C)$	VALUE S	UNIT
Current Tatings	$I_{F(AV)}$	average forward current	180° half sine wave 50Hz Double side cooled, $T_{hs}=102^{\circ}C$	150	800	A
	$I_{F(AV)}$	average forward current	180° half sine wave 50Hz Double side cooled, $T_{hs}=55^{\circ}C$	150	1291	A
	$I_{FSM}$	Surge forward current	10ms half sine wave	150	10	KA
	$I^2t$	$I^2t$ for fusing coordination	$VR=0.6VRRM$	150	500	KA <sup>2</sup> S
Characteristics	$V_{RRM}$	Repetitive peak reverse voltage	$V_{RRM} tp=10ms$ $V_{RSM}=V_{RRM}+100V$	150	200-1000	V
	$I_{RRM}$	Repetitive peak current	$V_{RM}=V_{RRM}$	150	Max.40	Ma
	$V_{FM}$	Peak on-state voltage	$I_{TM}=2400A, F=15KN$	25	Max.2.6	V
	$V_{FO}$	Threshold voltage		150	Max.1.17	V
	$r_F$	Forward slop resistance			Max.0.36	m $\Omega$
	$I_{rm}$	Reverse recovery current	$I_{TM}=800A, t_p=1000\mu s,$ $di/dt=-20A/\mu s, V_r=50V$	100	Typ.51	A
	$t_{rr}$	Reverse recovery time			Typ.3.0	$\mu$ s
$Q_{rr}$	Recovery charge	Typ.77 Max.90			$\mu$ c	
Thermal & Mechanical Date	$R_{th(j-h)}$	Thermal resistance Junction to heat sink	At 180° sine, double side cooled mounting force 15KN		0.033	$^{\circ}C/W$
	$F_m$	Mounting force			10-20	KN
	$T_{stg}$	Stored temperature			-40-160	$^{\circ}C$
	$W_t$	Weight			260	g

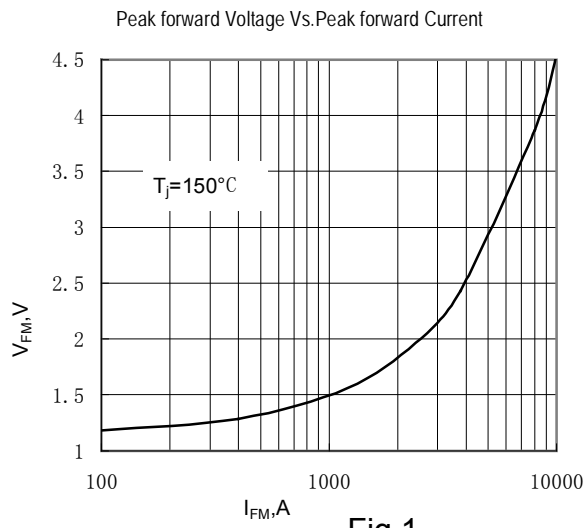


Fig.1

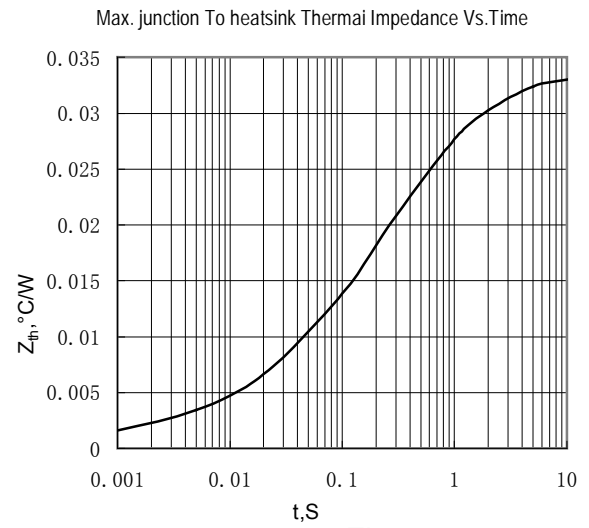


Fig.2

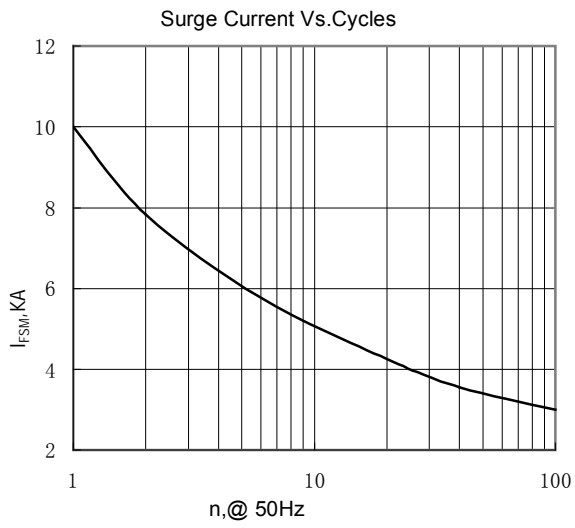


Fig.3

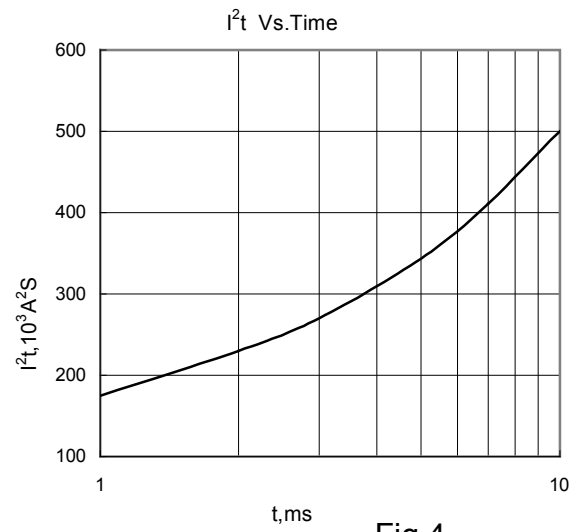
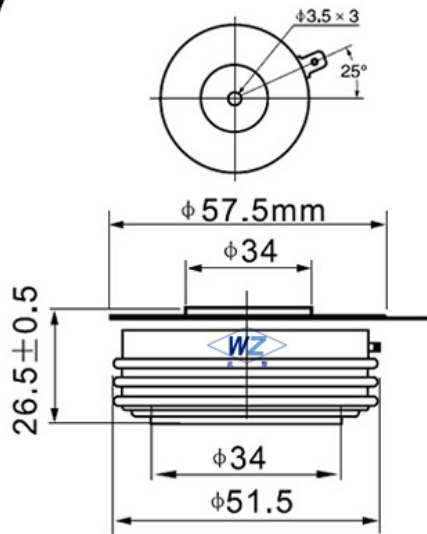


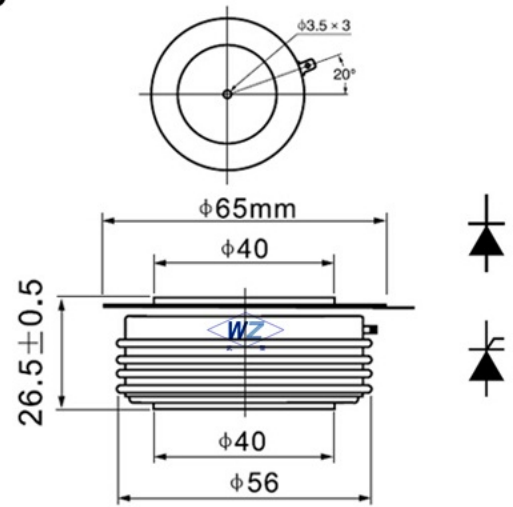
Fig.4

Dimensions:

C17



C18



## Wuhan Wuzheng Rectifier Co., Ltd

**Add:** NO. 73 Gaoxin Five Road, East Lake New Technology Development Zone, Wuhan City, Hubei province.

**Tel :** 86-27-87001995

**Fax:** 86-27-87180920

**Email:** info@techele.com

**Web:** www.techele.com/en

cn-techele.en.alibaba.com